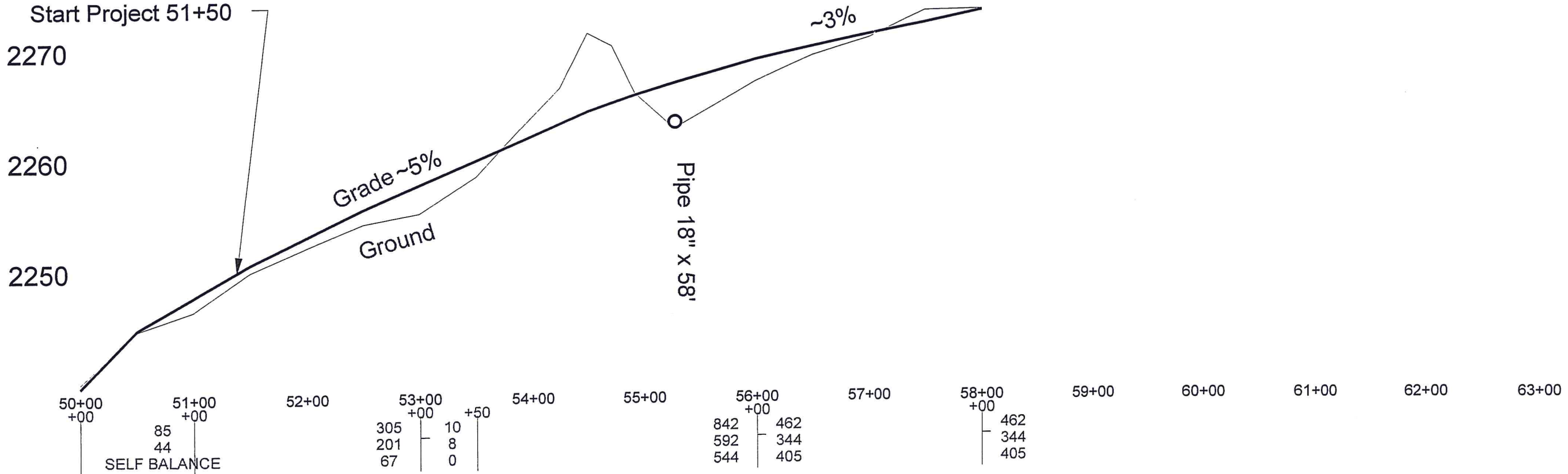
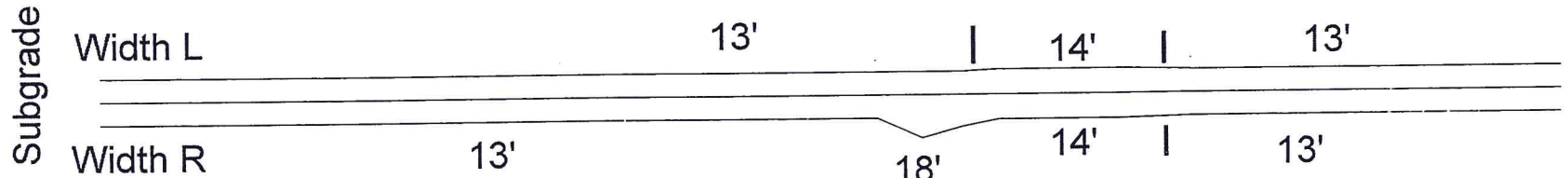
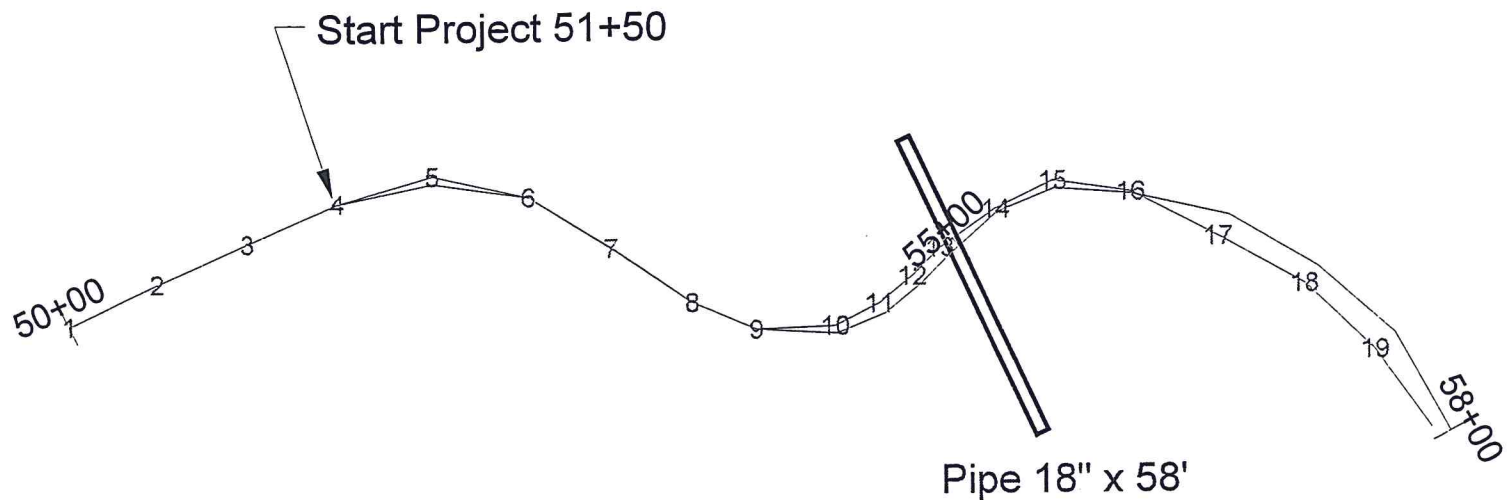


Ranch on Swauk Creek
Swauk Road 'A' Segment 2.1

DATE: 7/10/06
REVISIONS:

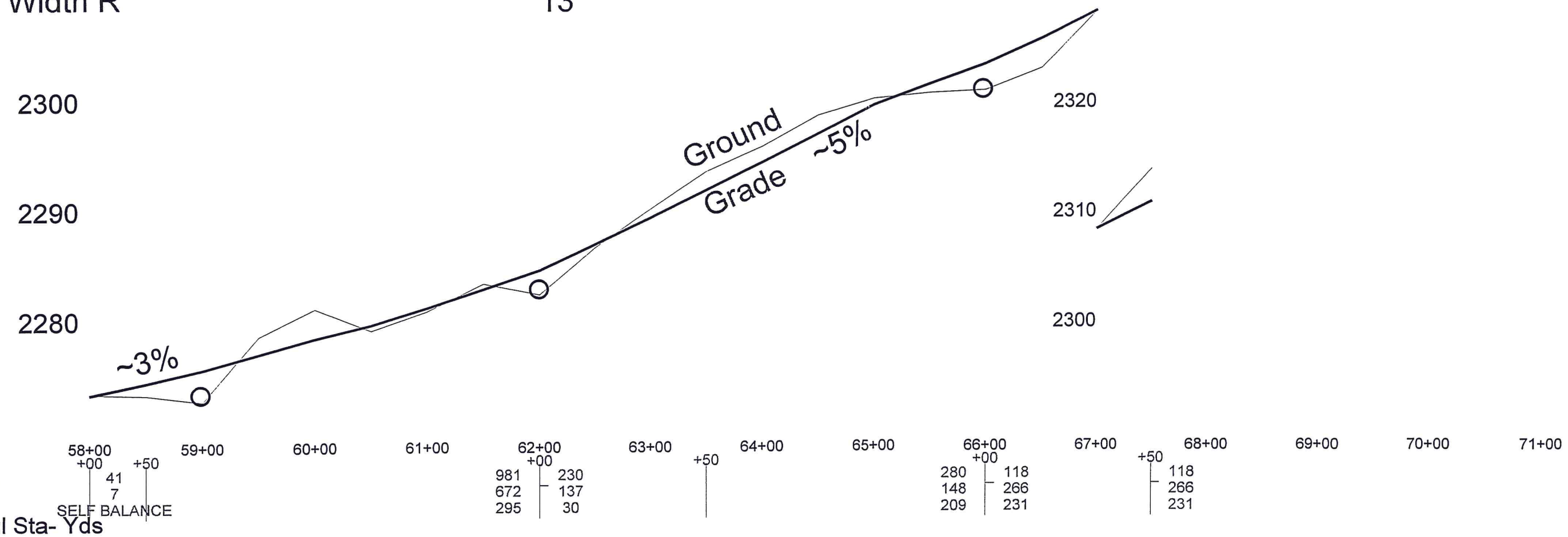
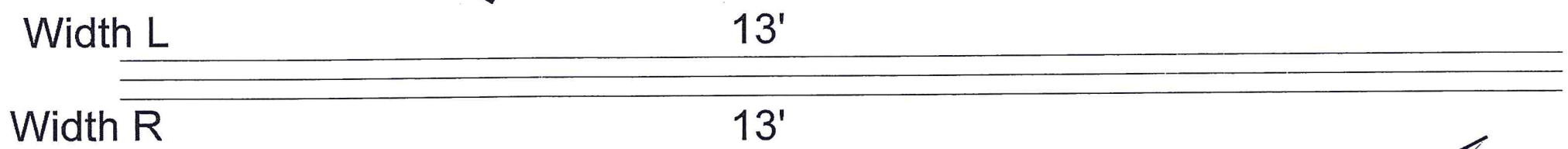
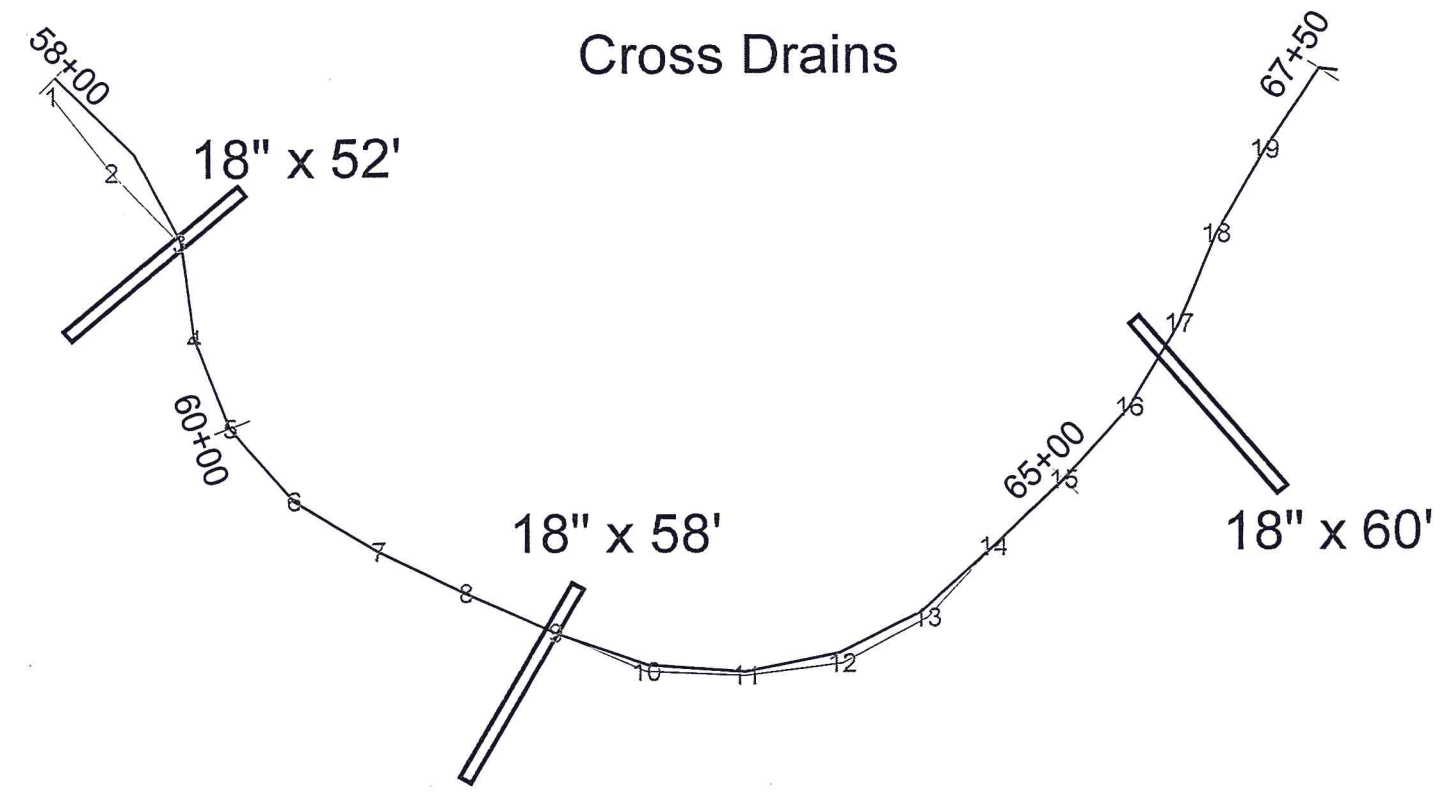


EVERGREEN VALLEY UTILITIES
P.O. BOX 808
CLE ELUM, WASHINGTON 98922
PH: (509) 304-9834

Ranch on Swauk Creek
Swauk Road 'A' Segment 2.2

DATE: 7/5/06
REVISIONS:

Cross Drains



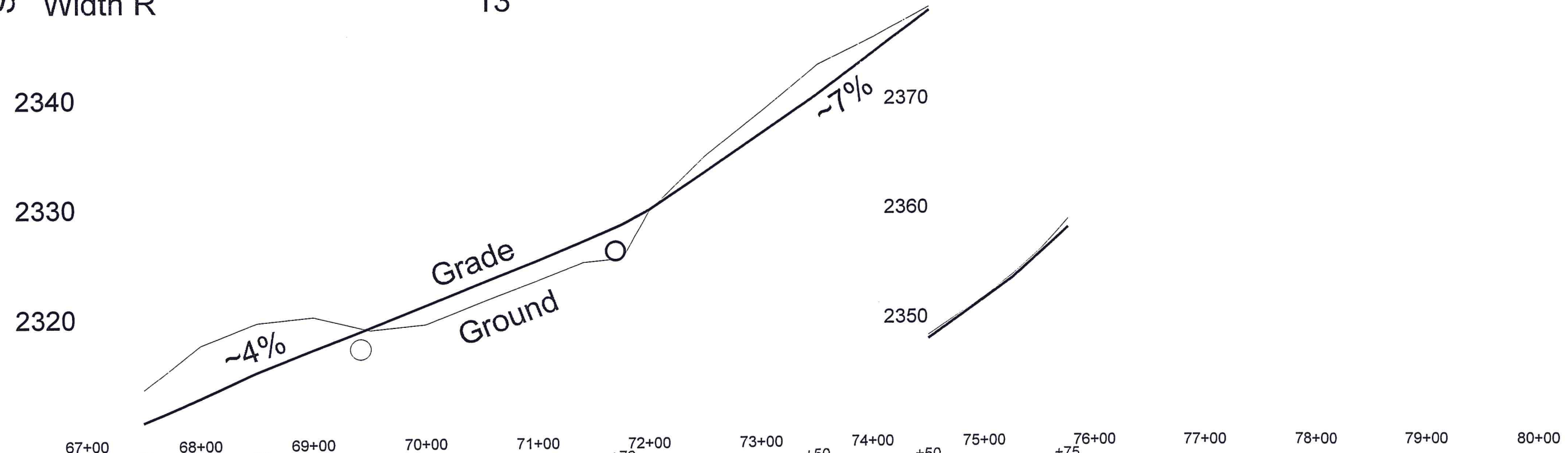
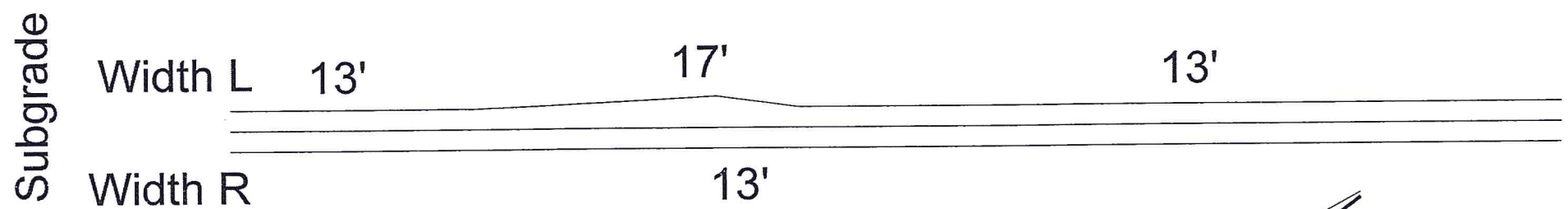
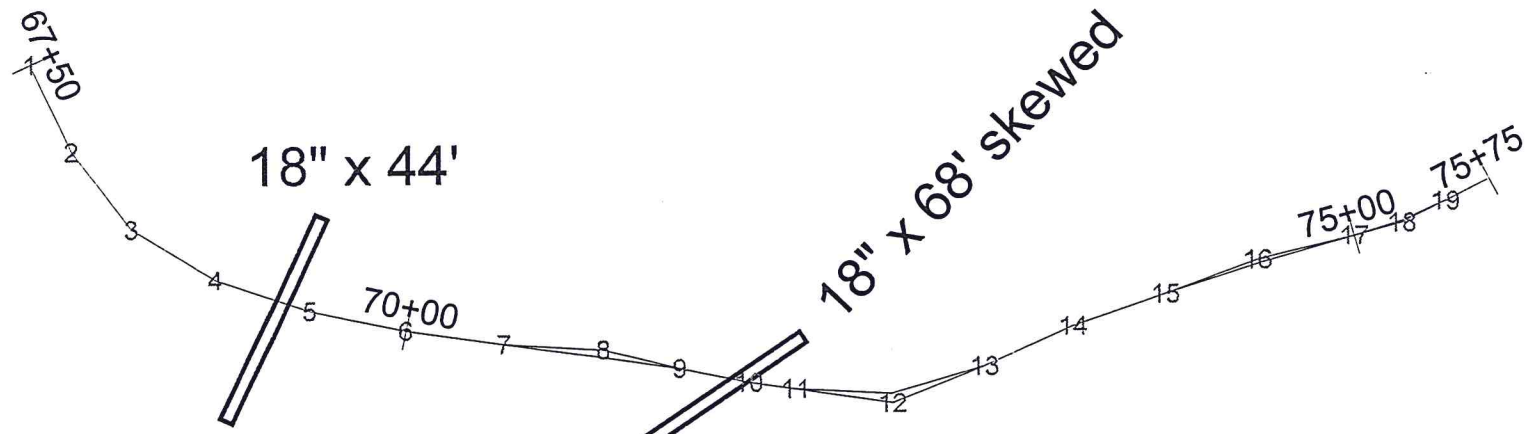
Cut
Fill
Haul Sta- Yds

58+00	59+00	60+00	61+00	62+00	63+00	64+00	65+00	66+00	67+00	68+00	69+00	70+00	71+00
+00	+00			+00		+50		+00		+50			
41				981				280		118			
7				672				148		266			
SELF BALANCE				295				209		231			
				230				118		118			
				137				266		266			
				30				231		231			

EVERGREEN VALLEY UTILITIES
P.O. BOX 808
CLE ELUM, WASHINGTON 98922
PH: (509) 304-9834

Ranch on Swauk Creek
Swauk Road 'A' Segment 2.3

DATE: 7/5/06
REVISIONS:

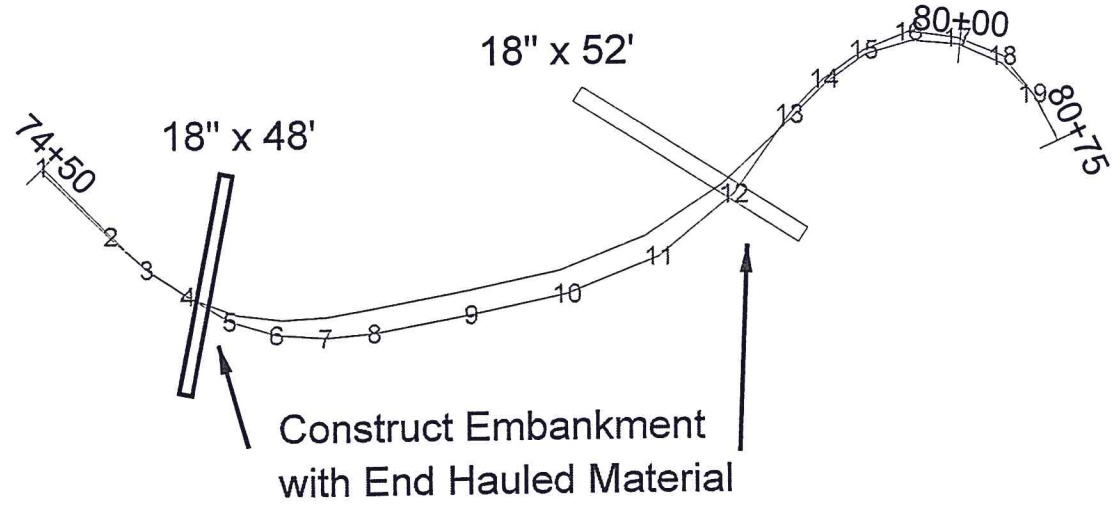


Cut Fill Haul Sta- Yds	+50		+50		+76		+50		+50		+75							
	283				721		292		56									
	0				472		0		7									
	55				850		112											
					149													
					68													

EVERGREEN VALLEY UTILITIES
P.O. BOX 808
CLE ELUM, WASHINGTON 98922
PH: (509) 304-9834

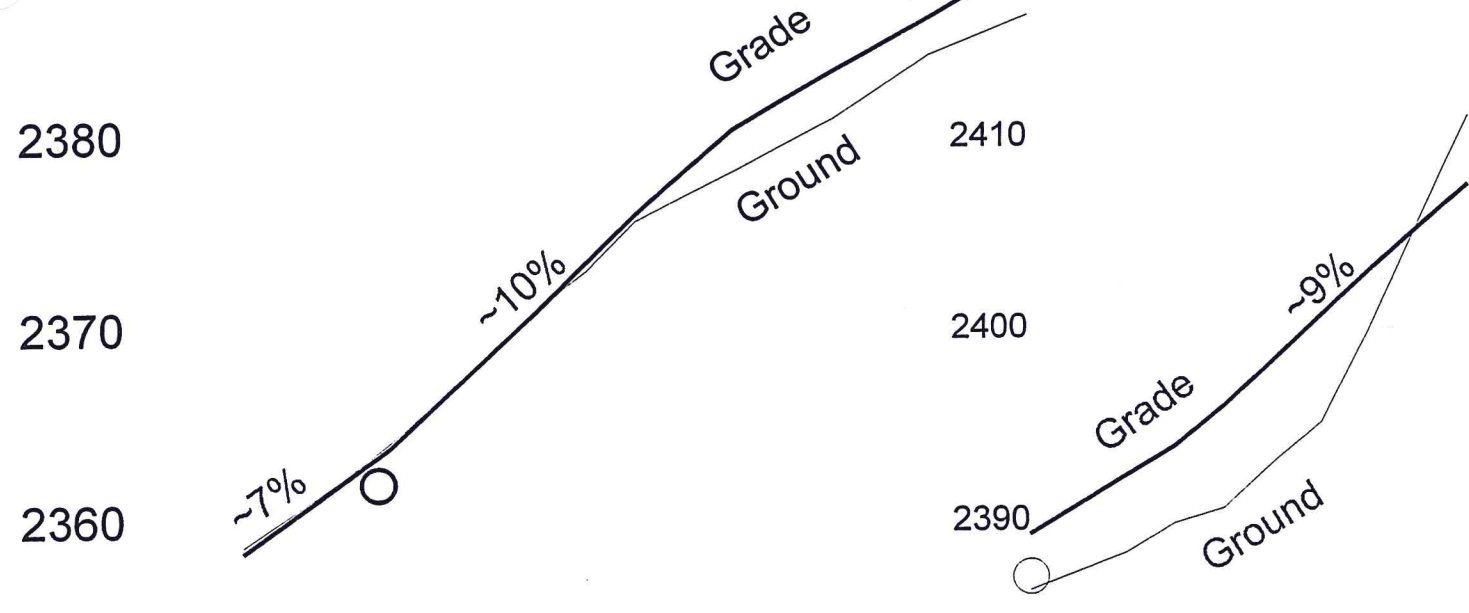
Ranch on Swauk Creek
Swauk Road 'A' Segment 2.4

DATE: 7/10/06
REVISIONS:



Construct Embankment
with End Hauled Material

subgrade	Width L	13'	14'
	Width R	13'	14'



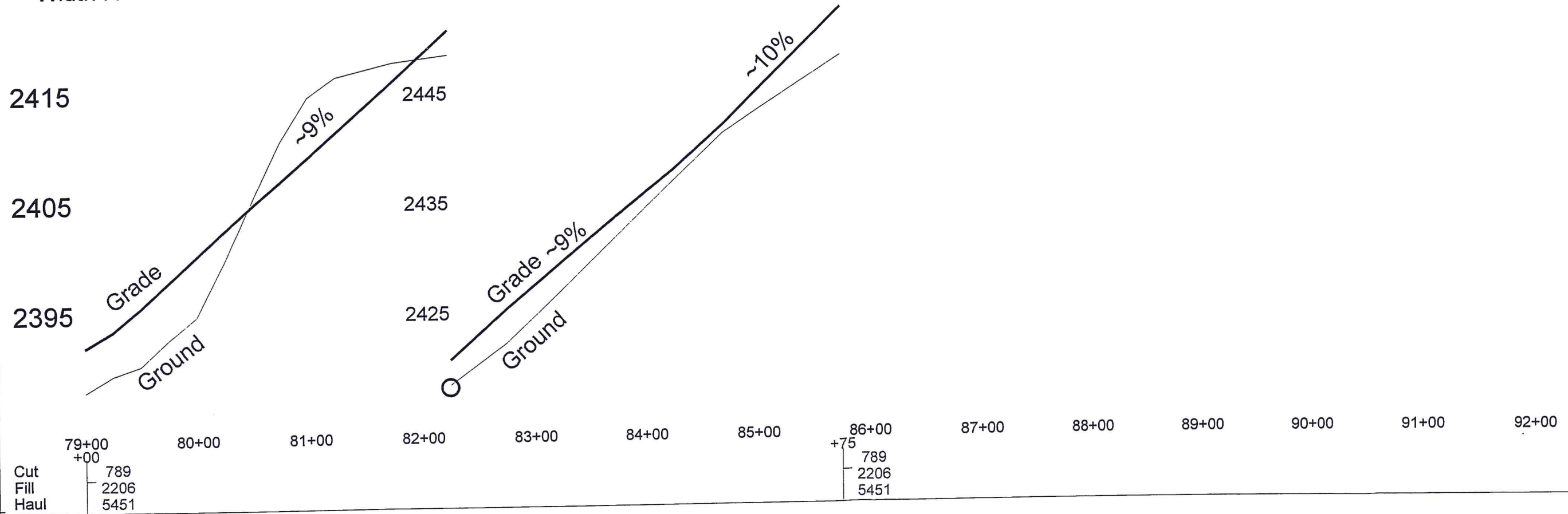
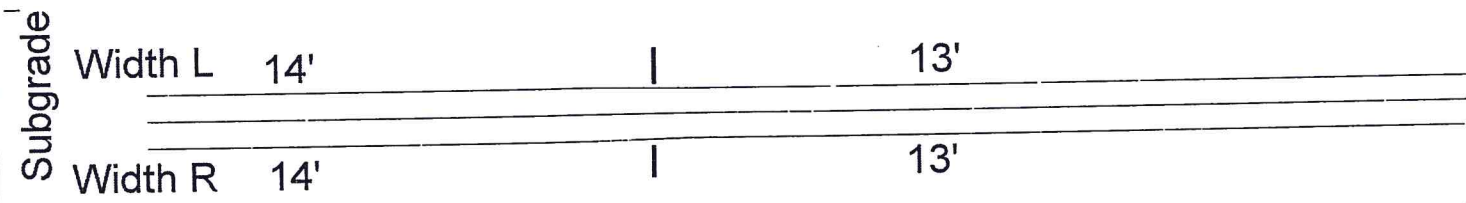
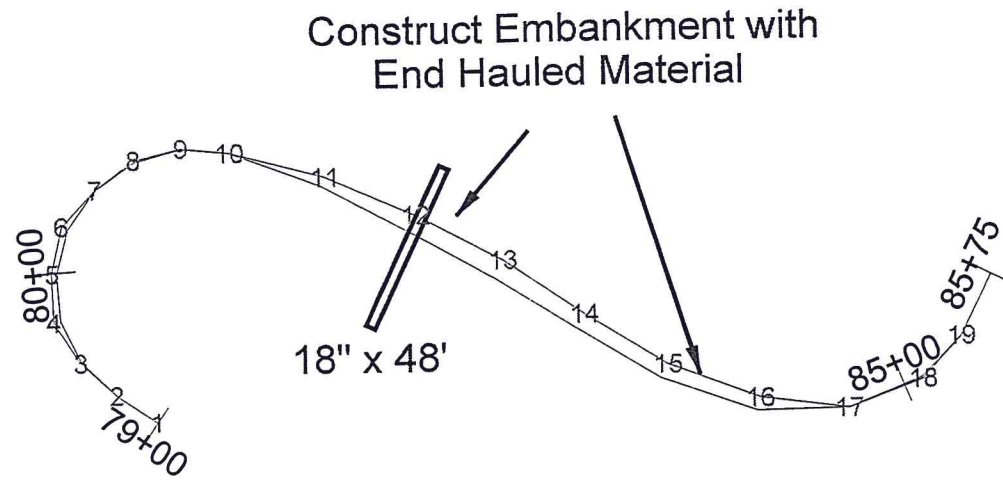
Cut	74+00	75+00	76+00	77+00	78+00	79+00	80+00	81+00	82+00	83+00	84+00	85+00	86+00	87+00
Fill	+50	+25						+75						
Haul Sta- Yds	22	174						174						
	1	1749						1749						
	SELF BALANCE	100						3100						

EVERGREEN VALLEY UTILITIES
P.O. BOX 808
CLE ELUM, WASHINGTON 98922
PH: (509) 304-9834

Ranch on Swauk Creek
Swauk Road 'A' Segment 2.5

DATE: 7/10/06

REVISIONS:

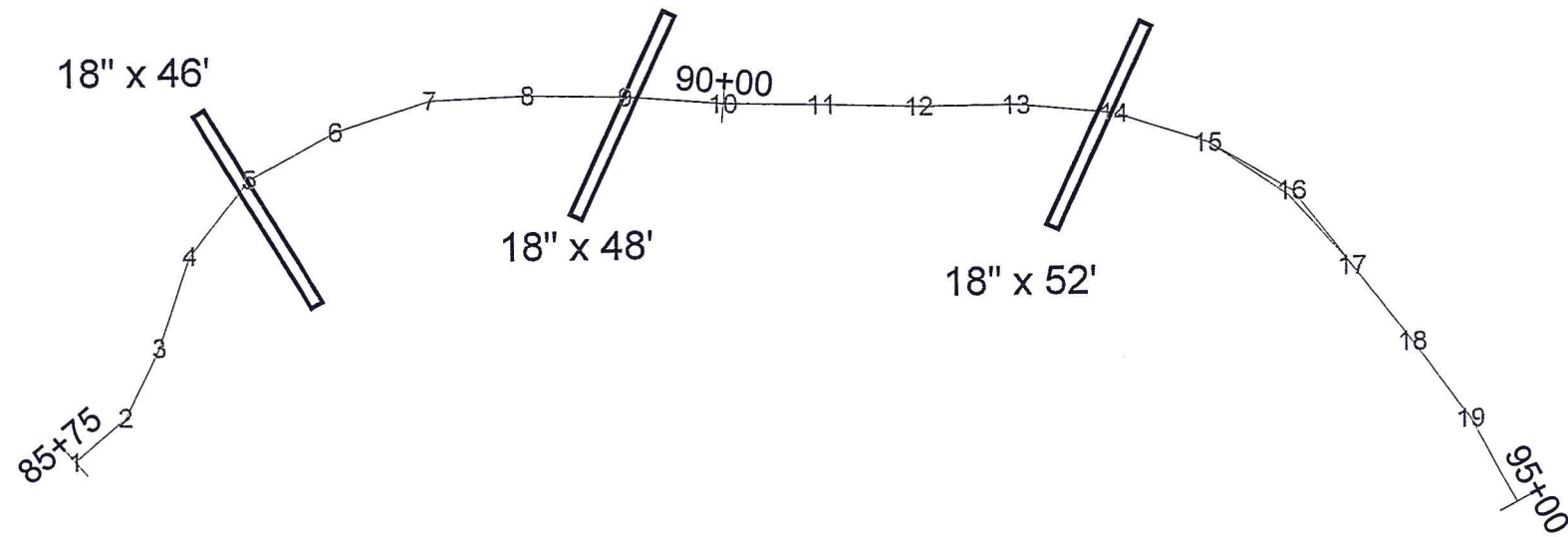


EVERGREEN VALLEY UTILITIES

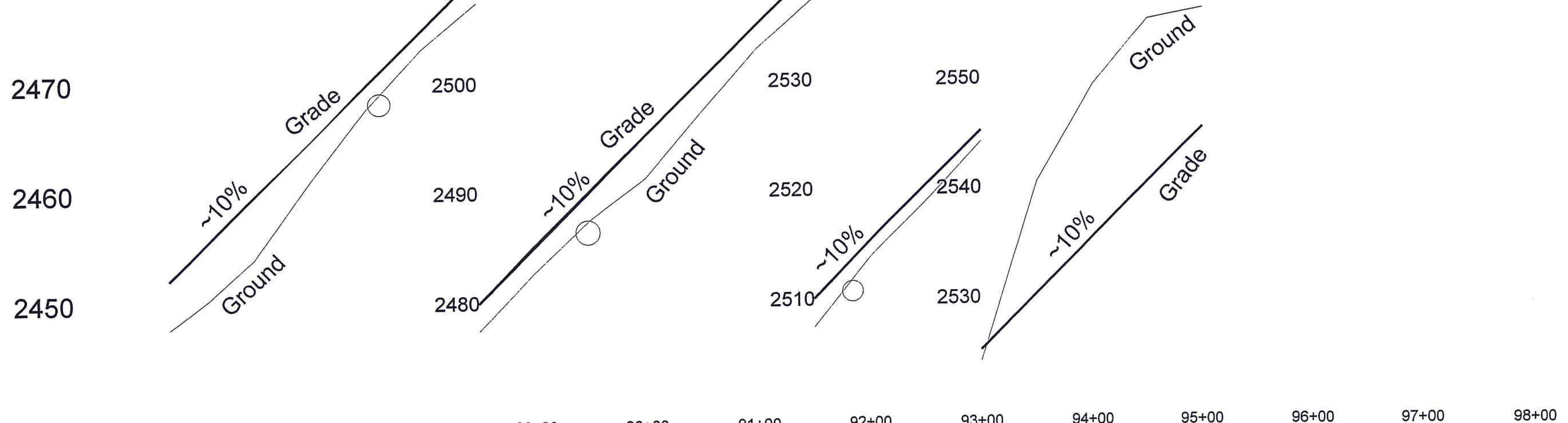
P.O. BOX 808
CLE ELUM, WASHINGTON 98922
PH: (509) 304-9834

SHEET 5
OF 7

Ranch on Swauk Creek
Swauk Road 'A' Segment 2.6



Subgrade	Width L	14'	13'
	Width R	14'	13'

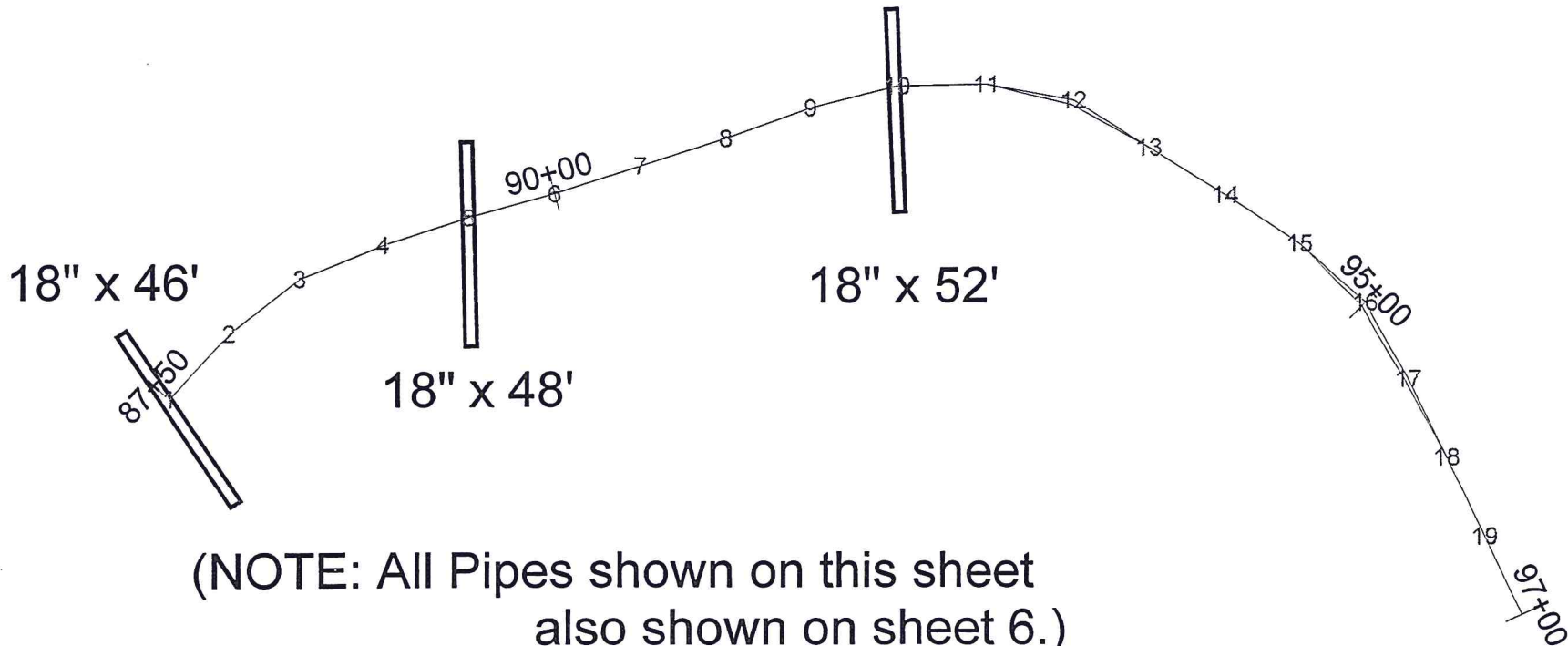


Cut Fill Haul Sta- Yds	85+00	86+00	87+00	88+00	89+00	90+00	91+00	92+00	93+00	94+00	95+00	96+00	97+00	98+00
		+75 3975 2748 20827									+00 3975 2748 20827			

DATE: 7/5/06
REVISIONS:

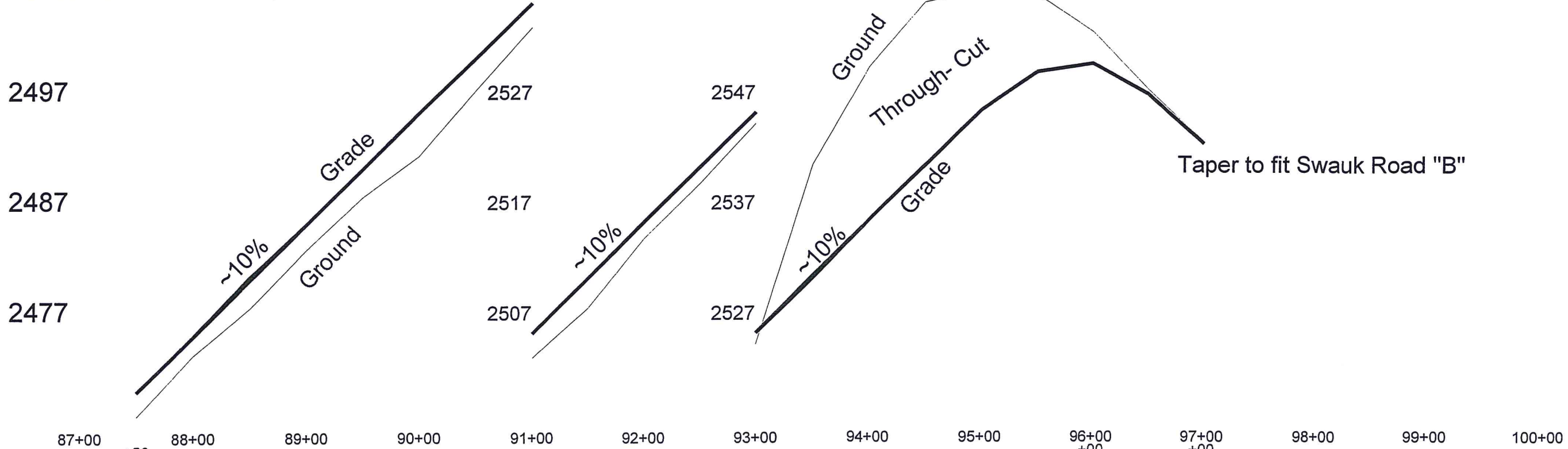
EVERGREEN VALLEY UTILITIES
P.O. BOX 808
CLE ELUM, WASHINGTON 98922
PH: (509) 304-9834

Ranch on Swauk Creek
Swauk Road 'A' Segment 2.7



(NOTE: All Pipes shown on this sheet also shown on sheet 6.)

Subgrade	Width L	14'	13'
	Width R	14'	13'



Cut	+50	4629
Fill		1751
Haul Sta- Yds		18838

96+00	+00	443
		9
		255

DATE: 7/5/06
REVISIONS:

EVERGREEN VALLEY UTILITIES
P.O. BOX 808
CLE ELUM, WASHINGTON 98922
PH: (509) 304-9834